



## Medical Gas Solutions from DRE Veterinary

## Medical Gas Pipeline Equipment

Founded in 1984, DRE Veterinary is one of the largest and most reliable worldwide suppliers of new and professionally refurbished veterinary equipment. Focused on continued commitment to quality and customer satisfaction, we are a trusted source for all your equipment needs, including medical gas pipeline equipment.



The **Frontall** medical gas outlets and risers represent the most technically advanced means of providing medical gas connections to the medical gas piping system. The outlets incorporate a unique patented front-loaded feature which makes the outlets easy to service, saving time and money.



We feel our outlets have at least three design features which make them superior to our competitor's outlet designs:

- ✓ The seal between the front assembly and back body is a double O – ring which does not deform and leak when weight is added to the outlet front. In addition, these O –rings may be serviced without removing the secondary check or shutting off the supply of gas. Our popular competitor's outlet design incorporates a large barrel grommet which deforms and leaks when weight is added to the front of the outlet. It also requires shutting off the supply of gas and removal of the secondary check in order to service or replace the barrel grommet.
- ✓ You will note in our literature that we state the outlet is capable of supporting 10 lbs @ 2" without leaking. This is because our design provides metal to metal support between the front and back bodies.
- ✓ The outlet front incorporates a durable, protective, vinyl label. These labels are durable and scratch resistant. Our popular competitor's outlets scratch easily.



XA11 series Allied™ style recessed wall outlets



Fairfield™ Coupler Outlets

# Medical Gas Pipeline Equipment



We offer an extensive line of **medical gas outlet conversion kits**, **medical gas alarm conversion kits** and **nitrogen control panel conversion kits**. There is no need to cut existing outlets, alarms or nitrogen control panels out of the wall. Leaking, obsolete, or discontinued equipment can be quickly upgraded with conversion kits at a significantly lower cost than replacing them with new construction equipment.

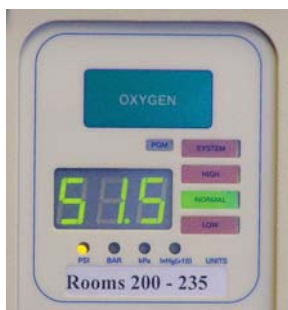
Our **E Z Backfeed** **E Z Find™** zone valve boxes and ball valves provide a safe, fast method for backfeeding medical gases without shutting down the gas supply or disrupting patients and an easy to locate and test location for transducers.



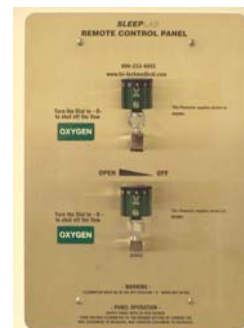
Zone Valve Boxes incorporate dual ported valves and may be piped from left to right or right to left. Simplifying the installation and pipeline design – saving the contractor and the facility time and \$\$\$.



Our Area, Master & Combination alarm panels are designed with state of the art technology for the utmost in safety and reliability. Area alarms with up to 14 gas modules and master alarms with up to 64 signal points save \$\$\$ and valuable wall space. In addition, all alarms and manifolds may be interfaced with our T-Net™ Medical Gas Information Management System



The **Sleep Lab O2 Control Panels** allow patient oxygen levels to be adjusted from the control room and eliminate the need to intrude into the patient room to adjust the oxygen flow rate, possibly disturbing the patients sleep.



# Medical Gas Pipeline Equipment



**Genesys®** manifold systems lead the industry in reliability and innovative features: transducers instead of pressure switches, 400 psig pressure differential rated solenoid valve(s), easy to service 2D layouts with union fittings before and after all serviceable components, designed to allow the manifold to be converted in the field (i.e. – from a cylinder by cylinder use to a liquid by liquid use). These design features; improve safety, reduce manifold system costs, make the units easy to service and provide the utmost in reliability. . In addition, all alarms and manifolds may be interfaced with our T-Net™ Medical Gas Information Management System

LU35 series manifolds provide up to 3,500 scfh and are specifically designed for applications such as: Hyperbaric chambers, emergency preparedness backup systems for bulk systems, where space is not sufficient for a bulk tank, and back-feeding during shut downs.



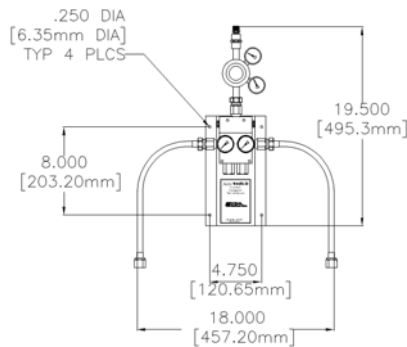
All cabinet style manifolds are fully automatic (no resetting of valves or levers needed).

All liquid manifold cabinets incorporate our exclusive Economizer Software which ensures that all of the liquid is used when the vessel is deemed empty.

By utilizing transducers instead of pressure switches, Genesys® manifold systems: improve safety (if a transducers fails an alarm is generated immediately, improve accuracy (transducers are  $\pm 1\%$  pressure switches are  $\pm 5 - 10\%$ ) and lower costs.



Models TMCU & TMLU fully automatic analog manifolds



AutoSwitch™ fully automatic analog manifolds



Genesys® manifold line transducer mounted remotely.

# Medical Gas Pipeline Equipment

## T - Net™ Medical gas information management system

Imagine being able to view the status of your complete medical gas alarm & manifold network from a PC and being able to 'click' on to any individual alarm panel or manifold – and 'see' it – just as if your were standing in front of it. Sound futuristic? It's not. It's called T-Net.

The T-Net system is an Ethernet and/or wireless microprocessor based medical device polling network. Both Ethernet and wireless connections are capable of simultaneous communication with the PC. It continuously scans all connected medical devices in the hospital and display the alarm topology and clone image of each device on a local P.C. or if you choose multiple PC's in your facility. When an alarm condition occurs, a visual pop-up box immediately appears on the PC and an audible beeping tone is generated on the PC notifying the viewer of the alarm condition. The viewer must manually acknowledge/silence both the visual & audible notifications. T-Net then highlights the alarm or manifold which is in alarm – for quick viewing by the user.

The system will support the following : Area Alarms, Combination Alarms, Master Alarms and Manifolds. Any alarm conditions shall be displayed on the P.C. as they occur. The system accommodates up to 560 devices. The has the ability to input information into the base P.C. in order to customize the display (location and names of devices, etc.) The T-Net system also creates and maintains an incident reporting for each individual alarm panel or manifold.

